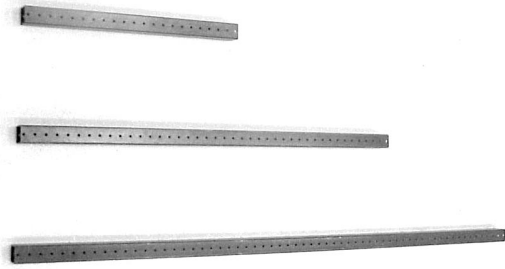


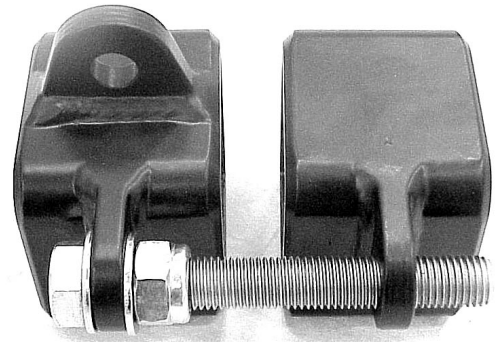
d&b Installer Flying System

Product overview

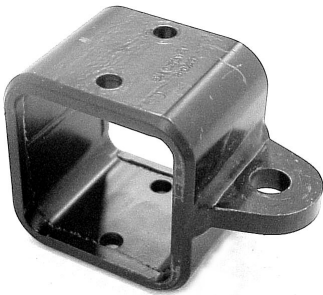
Component overview



Z5200.xxx Box section
1080mm, 1580mm, 2080mm, 2580mm, 3080mm



Z5201.002 Adjustable lifting slider



Z5201.000 Lifting slider



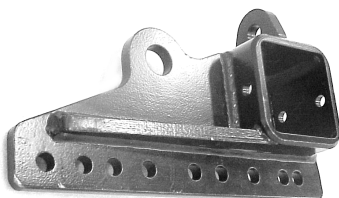
Z5201.001 Spreader lifting slider



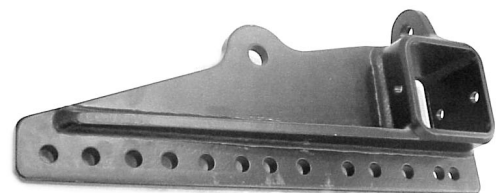
Z5201.030 Installer slider 36 mm



Z5201.140 Installer slider 144 mm



Z5201.230 Installer slider 230 mm



Z5201.350 Installer slider 350 mm

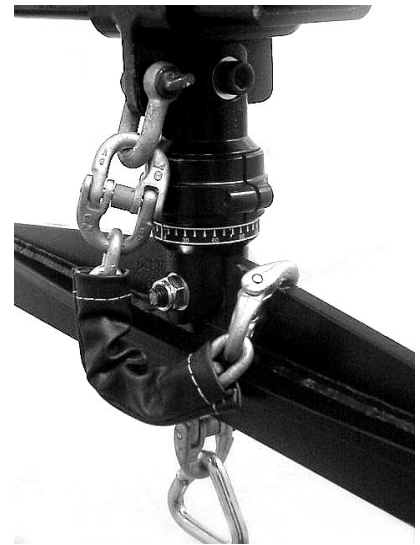
Not shown: Z5201.280 Installer slider 288 mm



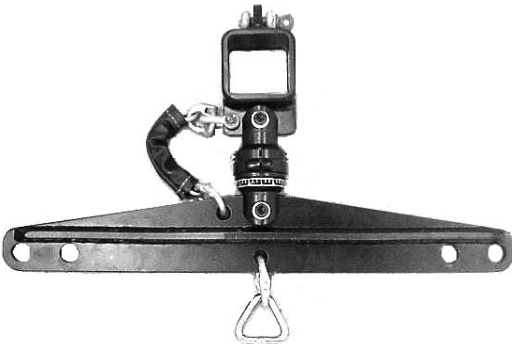
Z5202 Rota swivel



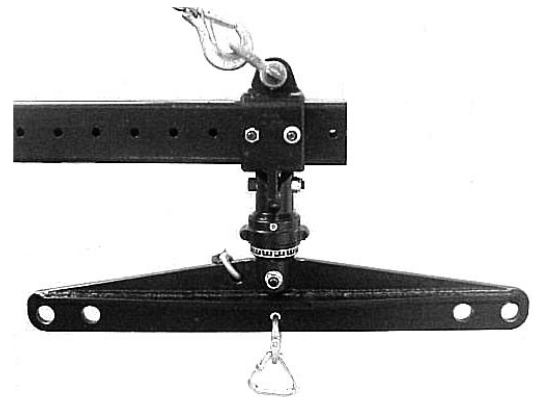
Z5203 Sub bar with Z5207 Delta link



Z5208 Safety chain



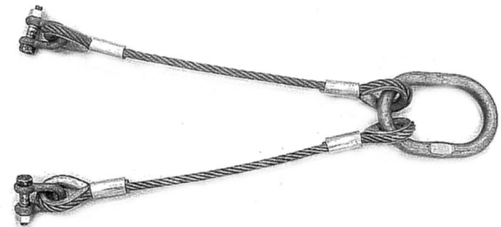
**Sub bar assembly with 36 mm Slider Z5201.030,
Safety chain Z5208 and Delta link Z5207**



Sub bar assembly with Box section



Z5207 Delta link

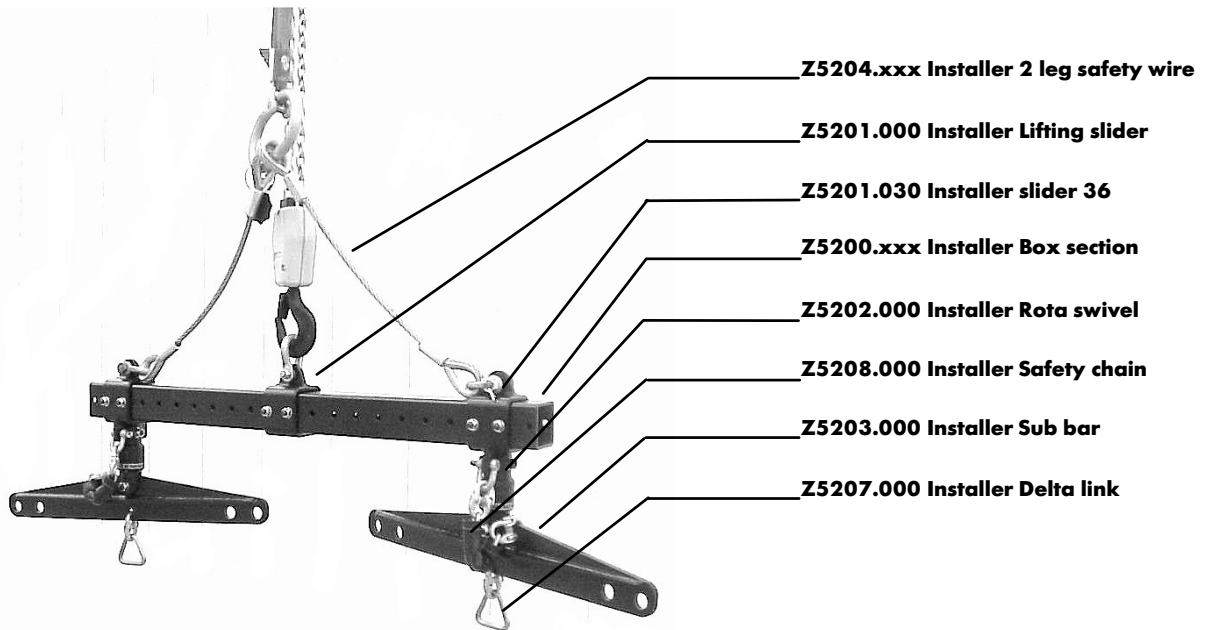


**Z5204.xxx 2 leg safety wire for Z5200.xxx Box
section**

**Not shown
Lifting chain:**

Z5209.100: 2 leg lifting chain for Box section, 1m
Z5209.150: 2 leg lifting chain for Box section, 2m
Z5209.200: 2 leg lifting chain for Box section, 3m

Installer 2 wide Configuration example



Z5211 Installer 1 wide 1L

Quantity	Description	d&b code
1	Installer Sub bar	Z5203.000
1	Installer Safety chain	Z5208.000
2	Installer unilock U10 shackle	Z5205.000
1	Installer C7 connex shackle	Z5206.000
1	Installer Delta link	Z5207.000

Z5212 Installer 2 wide 1L

Quantity	Description	d&b code
1	Installer Box section 1080	Z5200.100
1	Installer Lifting slider	Z5201.000
2	Installer Slider 36	Z5201.030
2	Installer Rota swivel	Z5202.000
2	Installer Sub bar assembly	Z5210.00
1	Installer 2 leg safety wire 1m/2 wide	Z5204.100
3	Installer unilock U10 shackle	Z5205.000

Z5213 Installer 3 wide 2L

Quantity	Description	d&b code
1	Installer Box section 2080	Z5200.200
2	Installer Lifting slider	Z5201.000
2	Installer Slider 144	Z5201.140
1	Installer Slider 288	Z5201.280
3	Installer Rota swivel	Z5202.000
3	Installer Sub bar assembly	Z5210.00
1	Installer 2 leg safety wire 2m/3 wide	Z5204.100
2	Installer unilock U10 shackle	Z5205.000

Z5214 Installer 4 wide 2L

Quantity	Description	d&b code
1	Installer Box section 3080	Z5200.300
2	Installer Lifting slider	Z5201.000
4	Installer Slider 288	Z5201.280
4	Installer Rota swivel	Z5202.000
4	Installer Sub bar assembly	Z5210.00
2	Installer 2 leg safety wire 1m/2 wide	Z5204.100
2	Installer unilock U10 shackle	Z5205.000